



# Fire Department Purchasing Presentation

September 15, 2014

## Safety Meeting was held 9/8/14

- A \$90,000 annual appropriation to the fund is paid for by a township wide levy.
- All items that will be discussed were built into a 10 year budgetary forecast for the fire and rescue capital improvement account.

# Hose

- FEMA Grant w/5% match from Village
  - \$23,070 total project
  - \$21,916 – FEMA portion
  - \$ 1,154– local match
- Request – *Council Authorization to purchase hose from Finley Fire Equipment not to exceed \$23,070.00.*
- 35 – 50' sections of 1 ¾" attack
- 75 – 50' sections of 2 ½" supply
- 7 – 100' sections of LDH supply
- 1 – 50' section of LDH supply



# Turn Out Gear

- NFPA Standards put a limit of 10 year wear life on structural firefighting turn-out gear.
  - As of earlier this year, all turn out gear worn by our firefighters as exceeded the wearable life standard.
  - We need to replace coats, pants, and helmets

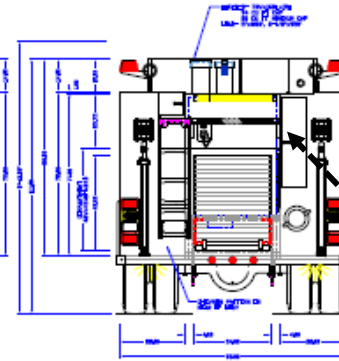
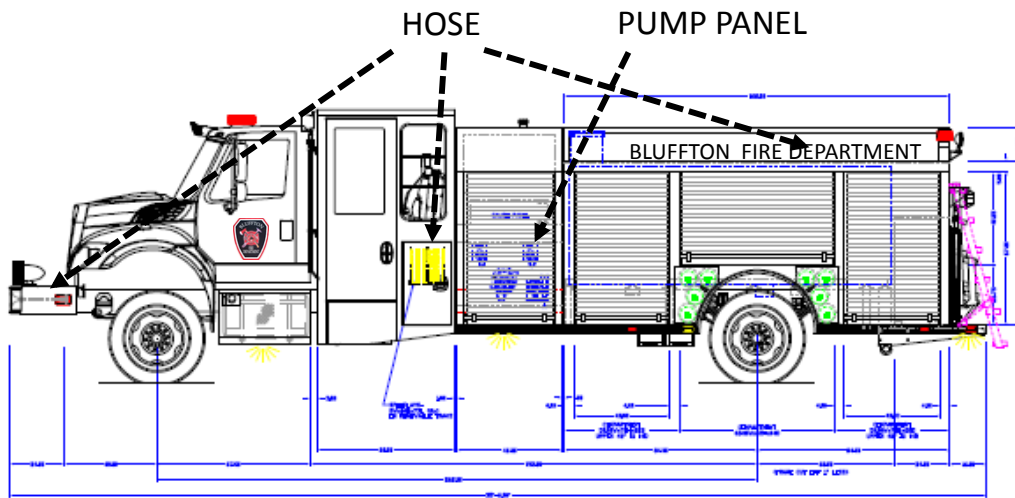


# PRICING

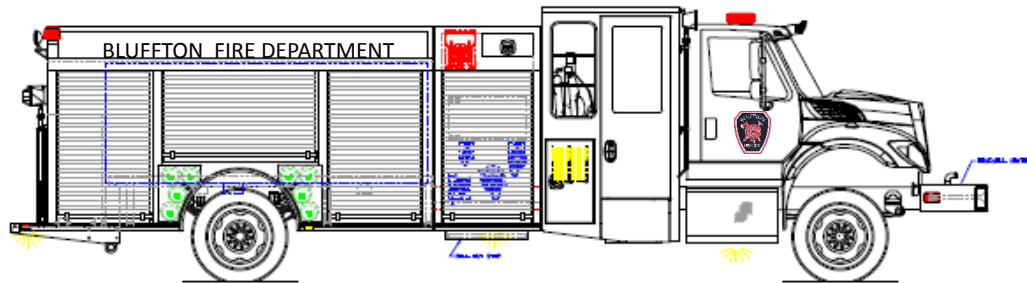
- Coat - \$1,045.00
  - Pants - \$ 745.00
  - Helmet - \$235.00
  
  - Total per firefighter –\$2,025.00
- We propose to replace all of the turn out gear over a three year period with 10 sets of gear purchased each year.
  
  - *REQUEST: Council authorization to purchase 10 sets of gear for the first purchasing round from Finley Fire Equipment for a price not to exceed \$20,250.00*
    - *We will be asking in early January for next round to avoid a Jan. 16, 2015 price increase.*

# Fire Truck Purchase – Rosenbauer (State of Ohio Term # 800369)





1. DIMENSIONS, UNLOADED HEIGHTS MAY BE 4" ABOVE HEIGHTS SHOWN.
2. DO NOT SCALE DRAWING.
3. ALL DIMENSIONS ARE APPROXIMATE AND SUBJECT TO ENGINEERING CHANGES.
4. DRAWING MAY OR MAY NOT SHOW ALL ITEMS AS DESCRIBED IN THE VEHICLE DETAIL SPECIFICATIONS.
5. INCLUSION OF AN ITEM ON THE DRAWING DOES NOT CONSTITUTE INCLUSION OF THAT ITEM WITH THE FINAL DELIVERED UNIT.



APPROVED BY:

CHASSIS:	NAVISTAR 7400 200
PUMP:	HALE 1500 GPM
TANK:	POLY/1000/30(FOAM)
PANEL MATL:	BLACK THERMOPLASTIC

PROPRIETARY AND CONFIDENTIAL ALL INFORMATION CONTAINED IN THIS DRAWING IS THE SOLE PROPERTY OF ROSENBAUER. ANY REPRODUCTION IN PART OR AS A WHOLE WITHOUT THE WRITTEN PERMISSION OF ROSENBAUER IS PROHIBITED.	COMP INTERIOR: SPATTER PAINTED
MAXIMUM HEIGHT	NONE
MAXIMUM LENGTH	NONE
BODY WIDTH	96"

**BLUFFTON**



ROSENBAUER CT 3/16"  
BLUFFTON 2

# PRICING

- **OPTION A: (Purchase before 9/26/14)**
  - **FIRE CHIEF AND SAFETY DIRECTOR'S BEST RECOMMENDATION**
  - Overall Truck Purchase Price – \$310,206
  - Pay for the truck at the time of the order with a 100% bond on the truck
  - Truck would cost \$319,000 if we waited to pay for the entire truck upon delivery if ordered before 9/26/14
- **Request: *Council Authorization to purchase a 2015 Rosenbauer fire pumper from United Fire Apparatus for a price not to exceed \$310,206***
  - *Note – The final “build” sheet will be completed next week and the sale should be contingent on the solicitor’s approval of the bonding paperwork.*
- **Option B: (Purchase after 9/26/14)**
  - Overall Truck Purchase Price - \$311,568
  - Pay for the truck at the time of the order with a 100% bond on the truck
  - Truck would cost \$320,362 if we waited to pay for the entire truck upon delivery if ordered after 9/26/14